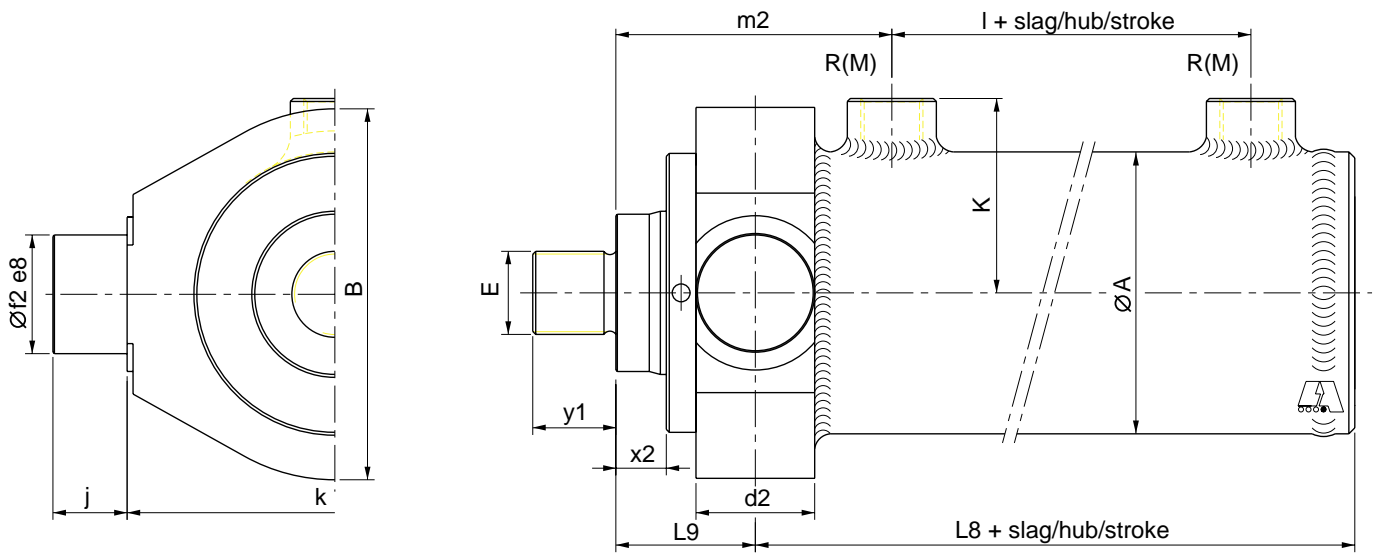


# UITVOERING E / BAUFORM E / MOUNTING STYLE E



| TYPE CILINDER |                       | Afmetingen (mm) |       |      |     |     |           |     |    |    |    |     |     |     |    |     |
|---------------|-----------------------|-----------------|-------|------|-----|-----|-----------|-----|----|----|----|-----|-----|-----|----|-----|
|               |                       | R               | L8    | L9   | A   | B   | E         | K   | d2 | f2 | j  | k   | l   | m2  | x2 | y1  |
| ACDE- 30/     | 20 22                 | R1/4"           | 103   | 30   | 40  | 60  | M14 x 1,5 | 36  | 20 | 20 | 15 | 70  | 53  | 60  | 10 | 14  |
| ACDE- 32/     | 20 22                 | R1/4"           | 103   | 30   | 42  | 60  | M14 x 1,5 | 37  | 20 | 20 | 15 | 70  | 53  | 60  | 10 | 14  |
| ACDE- 35/     | 20 22 25              | R1/4"           | 103   | 30   | 45  | 60  | M14 x 1,5 | 39  | 20 | 20 | 15 | 70  | 53  | 60  | 10 | 14  |
| ACDE- 40/     | 20 22 25<br>28 30     | R3/8"           | 111,5 | 34,5 | 50  | 70  | M16 x 1,5 | 41  | 25 | 25 | 18 | 80  | 48  | 67  | 12 | 16  |
| ACDE- 50/     | 25 30 35              | R3/8"           | 125   | 40   | 60  | 80  | M16 x 1,5 | 46  | 30 | 30 | 20 | 90  | 57  | 75  | 15 | 16  |
| ACDE- 60/     | 30 35 40              | R1/2"           | 135,5 | 43,5 | 70  | 100 | M22 x 1,5 | 53  | 35 | 35 | 20 | 115 | 61  | 82  | 16 | 22  |
| ACDE- 63/     | 32 35 36<br>40 45     | R1/2"           | 135,5 | 43,5 | 75  | 100 | M22 x 1,5 | 56  | 35 | 35 | 20 | 115 | 61  | 82  | 16 | 22  |
| ACDE- 65/     | 30 32 35<br>40 45     | R1/2"           | 135,5 | 43,5 | 75  | 100 | M22 x 1,5 | 56  | 35 | 35 | 20 | 115 | 61  | 82  | 16 | 22  |
| ACDE- 70/     | 35 40 45<br>50        | R1/2"           | 135,5 | 43,5 | 80  | 100 | M22 x 1,5 | 58  | 35 | 35 | 20 | 115 | 61  | 82  | 16 | 22  |
| ACDE- 80/     | 40 45 50<br>55 60     | R1/2"           | 152   | 47   | 95  | 125 | M28 x 1,5 | 66  | 40 | 40 | 25 | 140 | 68  | 93  | 17 | 28  |
| ACDE- 90/     | 45 50 55<br>60 65     | R1/2"           | 152   | 47   | 105 | 125 | M28 x 1,5 | 71  | 40 | 40 | 25 | 140 | 68  | 93  | 17 | 28  |
| ACDE-100/     | 50 55 60<br>70        | R1/2"           | 155   | 52   | 115 | 150 | M35 x 1,5 | 76  | 50 | 50 | 30 | 170 | 64  | 101 | 17 | 35  |
| ACDE-110/     | 50 55 60<br>70        | R1/2"           | 155   | 52   | 130 | 150 | M35 x 1,5 | 84  | 50 | 50 | 30 | 170 | 64  | 101 | 17 | 35  |
| ACDE-120/     | 60 70 80<br>85        | R3/4"           | 183   | 67   | 140 | 175 | M45 x 1,5 | 91  | 60 | 60 | 35 | 190 | 73  | 128 | 25 | 45  |
| ACDE-125/     | 60 70 80<br>85 90     | R3/4"           | 183   | 67   | 145 | 175 | M45 x 1,5 | 94  | 60 | 60 | 35 | 190 | 73  | 128 | 25 | 45  |
| ACDE-130/     | 70 80 85              | R3/4"           | 183   | 67   | 150 | 175 | M58 x 1,5 | 96  | 60 | 60 | 35 | 190 | 73  | 128 | 25 | 58  |
| ACDE-140/     | 70 80 85<br>90 100    | R3/4"           | 237,5 | 79,5 | 160 | 210 | M65 x 1,5 | 101 | 65 | 65 | 40 | 230 | 108 | 147 | 35 | 65  |
| ACDE-150/     | 80 85 90<br>100       | R3/4"           | 237,5 | 79,5 | 170 | 210 | M65 x 1,5 | 106 | 65 | 65 | 40 | 230 | 108 | 147 | 35 | 65  |
| ACDE-160/     | 85 90 100<br>110      | R1"             | 292   | 90   | 180 | 235 | M80 x 2   | 115 | 76 | 75 | 50 | 245 | 140 | 177 | 37 | 80  |
| ACDE-180/     | 90 100 110<br>125 140 | R1"             | 322   | 100  | 210 | 255 | M100 x 2  | 130 | 86 | 80 | 55 | 275 | 150 | 207 | 42 | 100 |
| ACDE-200/     | 100 110 125<br>140    | R1"             | 357   | 120  | 230 | 295 | M110 x 2  | 139 | 96 | 90 | 55 | 320 | 170 | 237 | 47 | 110 |